

M600EX-61HP-G

600 SERIES



14" - 48"
21.5" Max Cut



GAS



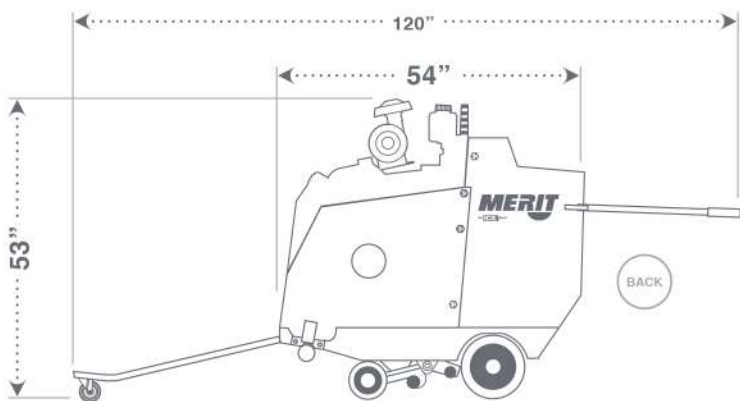
LIQUID
COOLED



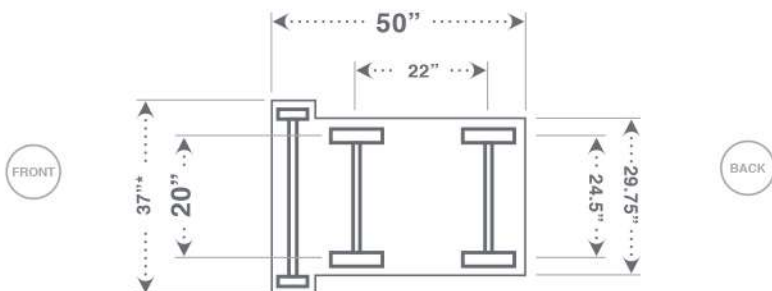
CARB
COMPLIANT



SELF
PROPELLED



LEFT SIDE VIEW



BOTTOM VIEW

*37" Standard
33.75" Quick Disconnect

FEATURES

Merit's 600 series floor saws feature a heavy-duty, fully-welded 1/4" steel frame along with an enclosed motor and differential. The 600 series saws are self-propelled and available in two engine options—40HP electric or 61HP gas. 600 models may be configured for front- or rear-pivot maneuvering with Merit's patented 4-speed gear box.

.....

SPECIFICATIONS

| | |
|----------------------------------|-------------------------------------|
| Raise & Lower Control | Button or lever |
| Air Filter | N/A |
| Blade Mounting | Left and right |
| Blade Shaft Drive | 1" with 5" arbors |
| Approx. Weight | 1750 lbs. |
| Drive Speed | 0-240 FPM |
| Depth Control | Mechanical |
| Spindle Size | 1.68" with tapered rolling bearings |
| Arbor Size | 1" |
| Engine Manufacturer | Kubota |
| Fuel Capacity | 6.5 gallons |

OPTIONAL ACCESSORIES

| | |
|-----------------------------|---------------------------|
| Blade guards 14" - 42" | Lifting frame (MER-21196) |
| LED night light (MER-21900) | Flush cut (MER-15847) |
| Water pump (MER-21155) | Arbor extensions |

.....

MODEL CONFIGURATIONS

| FRAME SERIES | | HORSE POWER | | FUEL TYPE | | PIVOT STYLE/ BLADE SHAFT CONFIG. | | CONTROL STYLE | | BLADE MOUNTING CONFIG. |
|--------------|---|-------------|---|-----------|---|-------------------------------------|---|---------------|---|------------------------|
| M600EX | - | 61HP | - | G | - | F4 | - | B (or L) | - | S (or QD) |
| M600EX | - | 61HP | - | G | - | R4 | - | B (or L) | - | S (or QD) |