

M300-27HP-G

300 SERIES



14" - 30"
13" Max Cut



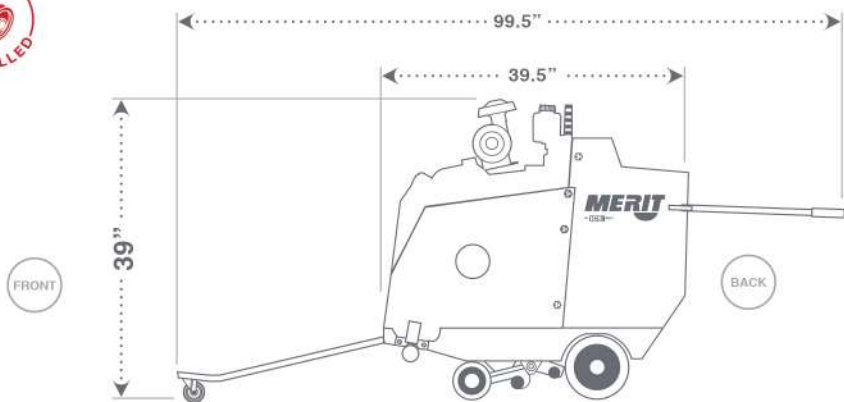
GAS



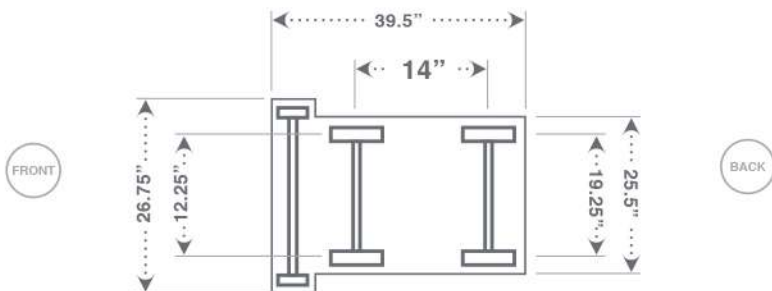
CARB
COMPLIANT



SELF
PROPELLED



LEFT SIDE VIEW



BOTTOM VIEW

FEATURES

Merit's 300 series floor saws are self-propelled and feature an enclosed differential for easy operation. The 300 series saws are available in two engine options—15HP electric or 27HP gas—and configured for front-pivot maneuvering. As with all Merit saws, 300 series frames are fully-welded with high-grade steel for added durability.

.....

SPECIFICATIONS

Raise & Lower Control	Button
Air Filter	Heavy duty
Blade Mounting	Left and right
Blade Shaft Drive	1" with 4" arbors
Approx. Weight	650 lbs.
Drive Speed	0-200 FPM
Depth Control	Mechanical
Spindle Size	1.44" with tapered roller bearings
Arbor Size	1"
Engine Manufacturer	Kohler
Fuel Capacity	5 gallons

OPTIONAL ACCESSORIES

Blade guards 14" - 30"	Water pump (MER-21155)
LED night light (MER-21900)	Lifting frame (MER-21196)

.....

MODEL CONFIGURATION

FRAME SERIES

HORSE POWER

FUEL TYPE

PIVOT STYLE/
BLADE SHAFT CONFIG.

CONTROL STYLE

BLADE MOUNTING CONFIG.

M300 - 27HP - G - F1 - B - S