

M400SS-50HP-G

400 SERIES



14" - 30"
13" Max Cut



GAS



CARB
COMPLIANT

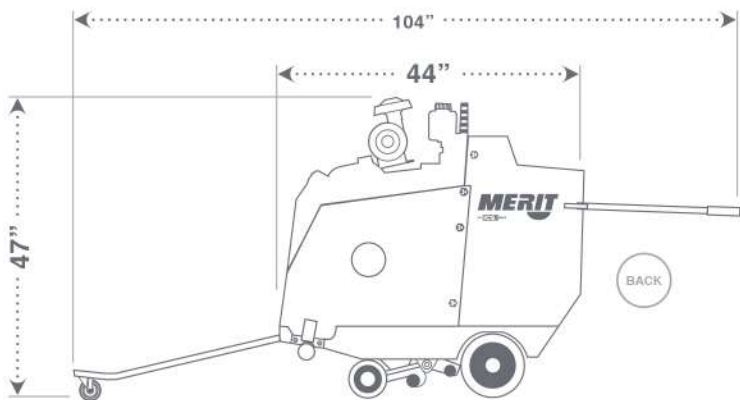


LIQUID
COOLED



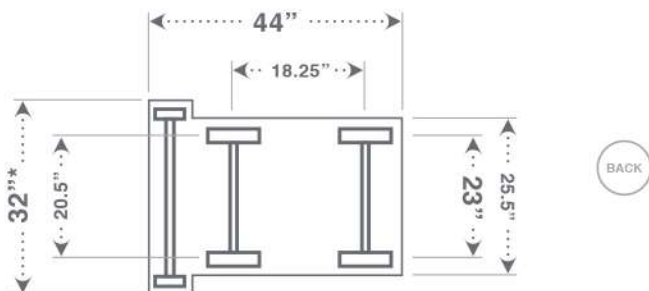
SELF
PROPELLED

FRONT



LEFT SIDE VIEW

FRONT



BACK

*32" Standard
28.5" Quick Disconnect

BOTTOM VIEW

FEATURES

Merit's 400 series floor saws feature a heavy-duty, fully-welded 1/4" steel frame along with an enclosed motor and differential. The 400 series saws are self-propelled and available in three engine options—20HP electric, 30HP electric or 50HP gas. 400SS models are configured for rear-pivot maneuvering and may be built as single- or 4-speed.

.....

SPECIFICATIONS

Raise & Lower Control	Button or lever
Air Filter	2 stage
Blade Mounting	Left and right
Blade Shaft Drive	1" with 4" arbors
Approx. Weight	1150 lbs.
Drive Speed	0-240 FPM
Depth Control	Mechanical
Spindle Size	1.44" with tapered roller bearings
Arbor Size	1"
Engine Manufacturer	Kubota
Fuel Capacity	6.5 gallons

OPTIONAL ACCESSORIES

Blade guards 14" - 30"	Lifting frame (MER-21196)
LED night light (MER-21900)	Flush cut (MER-15847)
Water pump (MER-21155)	Arbor extensions

.....

MODEL CONFIGURATIONS

FRAME SERIES		HORSE POWER		FUEL TYPE		PIVOT STYLE/ BLADE SHAFT CONFIG.		CONTROL STYLE		BLADE MOUNTING CONFIG.
M400SS	-	50HP	-	G	-	R1	-	B (or L)	-	S (or QD)
M400SS	-	50HP	-	G	-	R4	-	B (or L)	-	S (or QD)